



RELAYS & CONTACTORS

FUNCTIONAL DEVICES WIRELESS CONTROL RELAYS RIBW SERIES

DESCRIPTION

The **RIBW Series** wireless control relays from Functional Devices are enclosed and offer easy installation without the expense of traditional hard wiring. The control relays are used in tandem with the wireless transmitter **Model RIBWE24TDC-EN**. Relays can be mounted up to 100 ft (30 m) from the transmitter.

FEATURES

- Enclosed wireless relay with 20A contacts
- Eliminates hard wiring
- LED indication of relay status
- Continuous duty coil



RIBW01B-EN3



RIBW01C-EN3



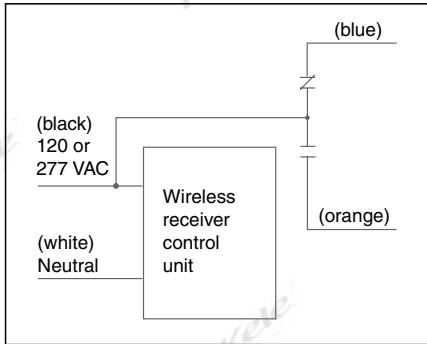
SPECIFICATIONS	
Relay Type	SPDT, continuous duty
Coil Rating	
RIBW01B-EN	120 VAC @ 73 mA
RIBW227B-EN	277 VAC @ 80 mA
Frequency	50/60 Hz
Contact Rating	20A resistive @ 120/277 VAC, 20A ballast N.O. @ 120/277 VAC, 10A ballast N.C. @ 120 VAC, 1110 VA pilot duty @ 120 VAC, 2 HP @ 277 VAC, 1 HP @ 120 VAC
Life Expectancy	10 million cycles minimum
LED Indication	On = energized
Operating Temperature	-30° to 140°F (35° to 60°C)
Operating Humidity	5% to 95% non-condensing
Dimensions	
RIBW2X-	2.3"H x 3.2"W x 1.8"D (5.8 x 8.1 x 4.6 cm) with 0.5" (1.27 cm) NPT nipple
RIBW01-	4.6"H x 1.2"W x 1.7"D (11.7 x 3.0 x 4.3 cm)
Housing Type	NEMA 1, plenum rated
Wire Length	16" (46 cm) 600V
Approvals	UL Listed File E68805, CE, RoHS
TRANSMITTER	
Supply Voltage	24 VAC @ 42 mA; 24 VDC @ 38 mA, 50/60 Hz
Frequency	315 mHz
Transmission Power	10mW EIRP, maximum
LED Indication	
On	Input Activated
Slow Blink	Input Deactivated
Fast Blink	Transmitting
Operating Temperature	-30° to 140°F (35° to 60°C)
Operating Humidity	5% to 95% non-condensing
Dimensions	1.7"H x 2.8"W x 1.5"D (4.3 x 7.1 x 3.8)
Housing Type	NEMA 1, plenum rated
Wire Length	16" (46 cm) 600V
Warranty	1 year

RELAYS & CONTACTORS

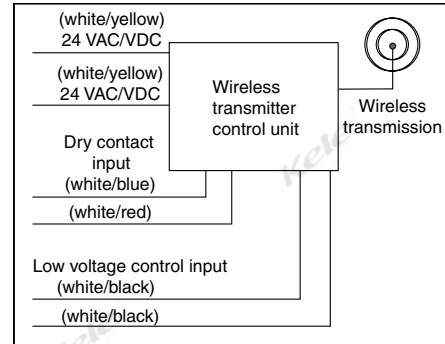
FUNCTIONAL DEVICES WIRELESS CONTROL RELAYS RIBW SERIES



WIRING



Relay Wiring



Transmitter Wiring

ORDERING INFORMATION

MODEL	DESCRIPTION
RIBW01B-EN3	EnOcean 902Mhz Enclosed Relay 20Amp 120Vac 2-Way Wireless Dry-Cont. Input
RIBW24B-EN3	EnOcean 902Mhz Enclosed Relay 20Amp 24Vac 2-Way Wireless Dry-Cont. Input
RIBW208B-EN3	EnOcean 902Mhz Enclosed Relay 20Amp 208Vac 2-Way Wireless Dry-Cont. Input
RIBW240B-EN3	EnOcean 902Mhz Enclosed Relay 20Amp 240Vac 2-Way Wireless Dry-Cont. Input
RIBW277B-EN3	EnOcean 902Mhz Enclosed Relay 20Amp 277Vac 2-Way Wireless Dry-Cont. Input
RIBW02C-EN3	EnOcean 902Mhz Enclosed Relay 5Amp 208-277Vac Wireless
RIBW01C-EN3	EnOcean 902Mhz Enclosed Relay 5Amp 120Vac Wireless

	RELATED PRODUCTS
MH4403L-L4	Metal Housing NEMA1 18H x 18W x 7D w/ SP4403L Subpanel & coin latch
WDWS-EN3 Series	Wireless Door/Window Sensor (902MHz)
WWS-EN3 Series	Wireless Wall Switch 902MHz white